

The original **desktop**.

# Industrial Style High Rise Desk

Model 5424933

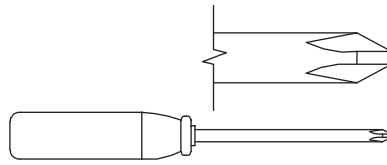
**NOTE:** THIS INSTRUCTION BOOKLET CONTAINS **IMPORTANT** SAFETY INFORMATION.

PLEASE READ AND KEEP FOR FUTURE REFERENCE.

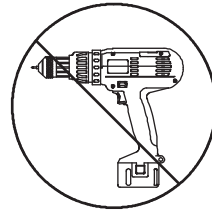
# Table of Contents

# Assembly Tools Required

Part Identification	3
Hardware Identification	4
Assembly Steps	5-12
Français	13-14
Español	15-16
Safety	17-18
Warranty	19



No. 2 Phillips Screwdriver  
Tip Shown Actual Size



Skip the power trip.  
This time.

# Part Identification

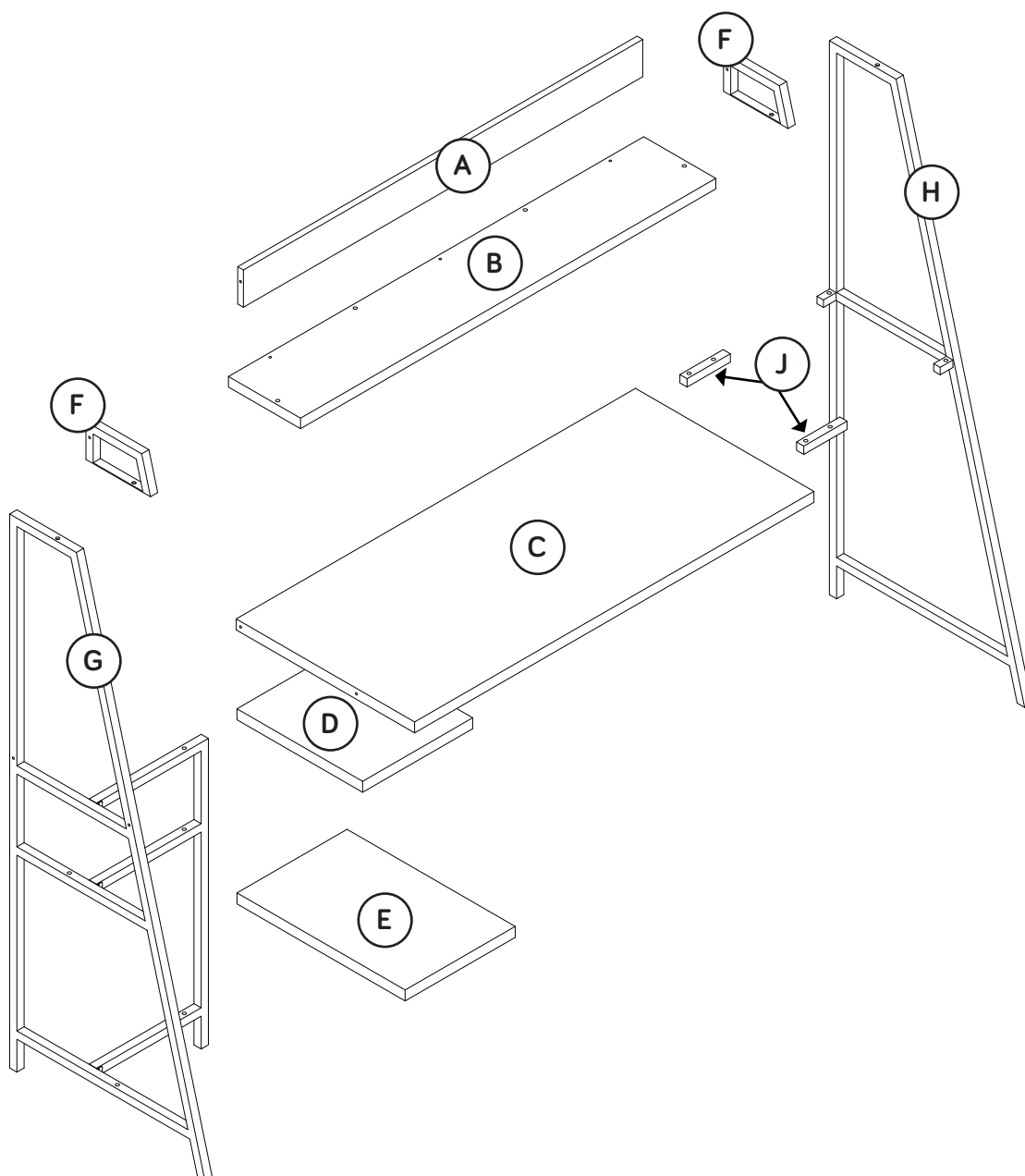
Now you know  
our ABCs.



† While not all parts are labeled, some of the parts will have a label or an inked letter on the edge to help distinguish similar parts from each other. Use this part identification to help identify similar parts.

A	HUTCH BACK (1)
B	HUTCH SHELF (1)
C	TOP (1)
D	SMALL SHELF (1)
E	LARGE SHELF (1)

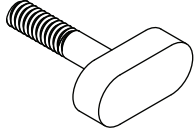
F	HUTCH END (2)
G	LEFT END (1)
H	RIGHT END (1)
J	TOP BRACE (2)



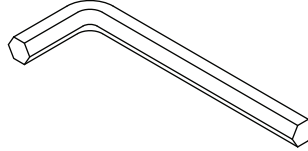
# Hardware Identification

† Screws are shown actual size. You may receive extra hardware with your unit.

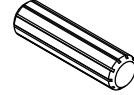
1 THUMB SCREW - 9



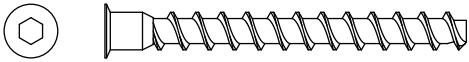
2 L-WRENCH - 1



3 WOOD DOWEL - 2



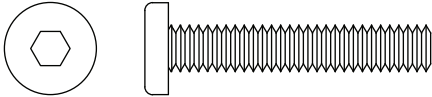
4 BLACK 1-7/8" HEX HEAD SCREW - 4



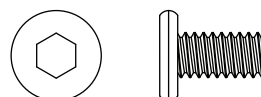
5 BLACK 1-3/4" FLAT HEAD SCREW - 3



6 BLACK 1-3/8" HEX HEAD SCREW - 2



7 BLACK 1/2" HEX HEAD SCREW - 2

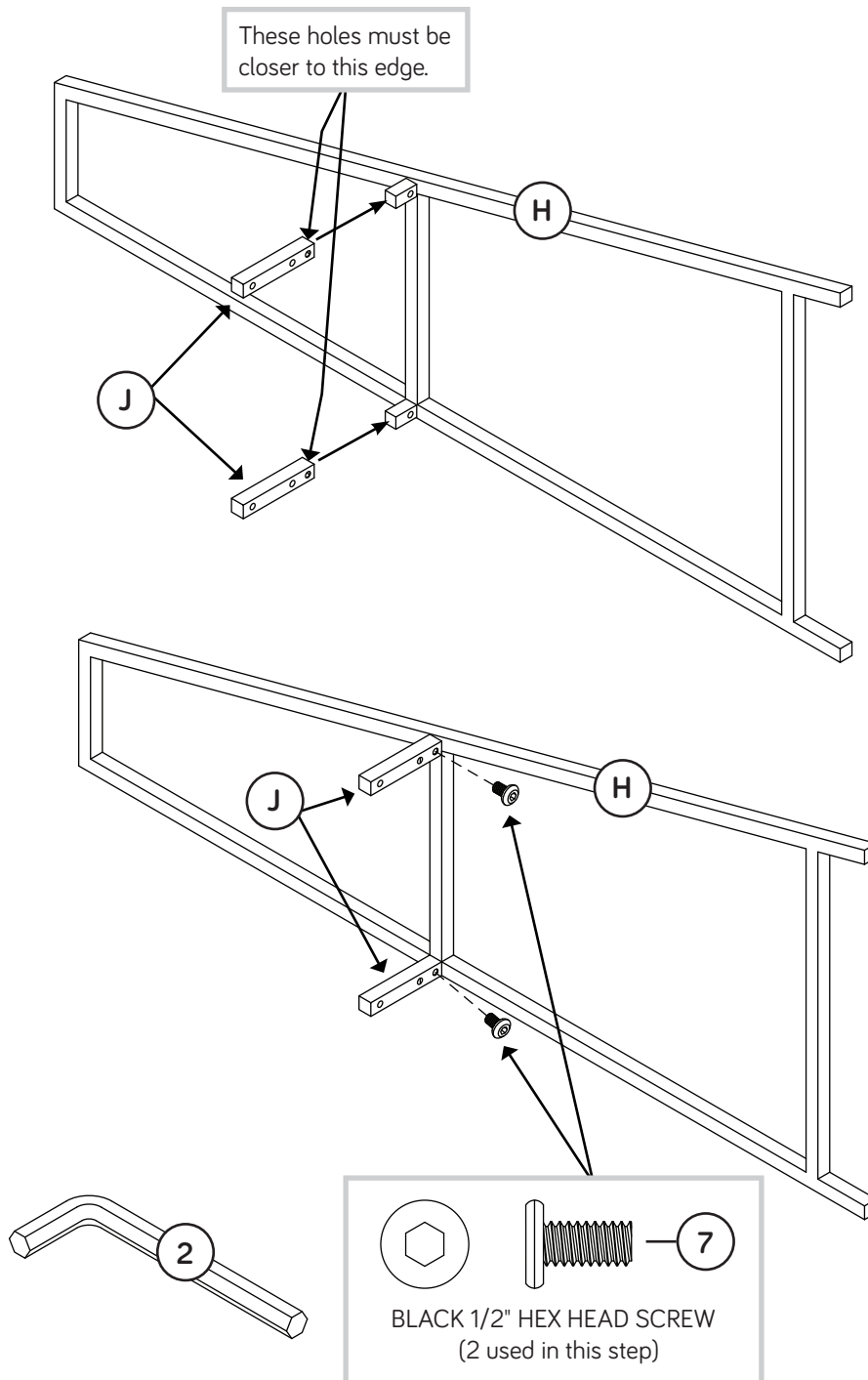


# Step 1

- ✚ Assemble your unit on a carpeted floor or on the empty carton to avoid scratching your unit or the floor.
- ✚ Slide the TOP BRACES (J) onto the posts on the RIGHT END (H).
- ✚ Fasten the TOP BRACES (J) to the RIGHT END (H). Turn two BLACK 1/2" HEX HEAD SCREWS (7) with the L-WRENCH (2).



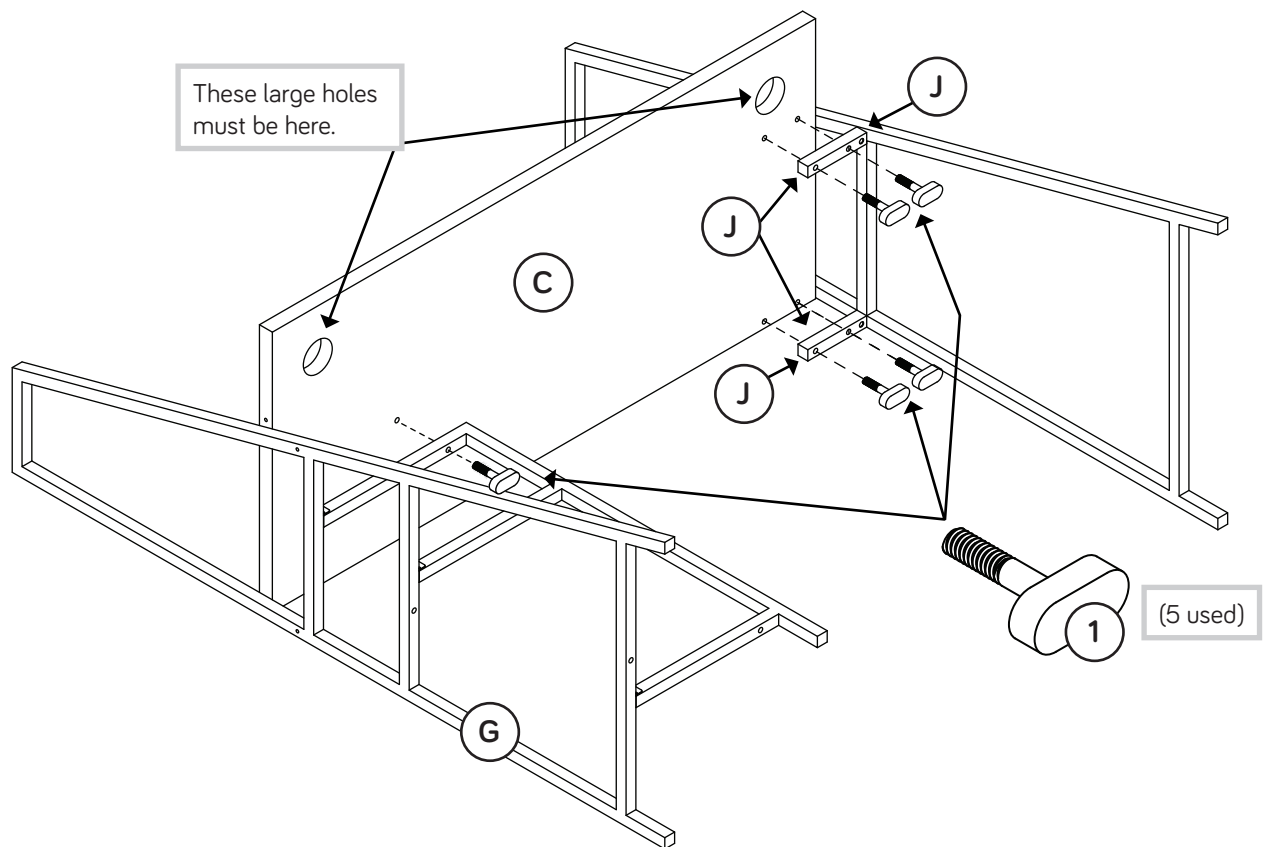
Some assembly  
(and snacks) required.



# Step 2

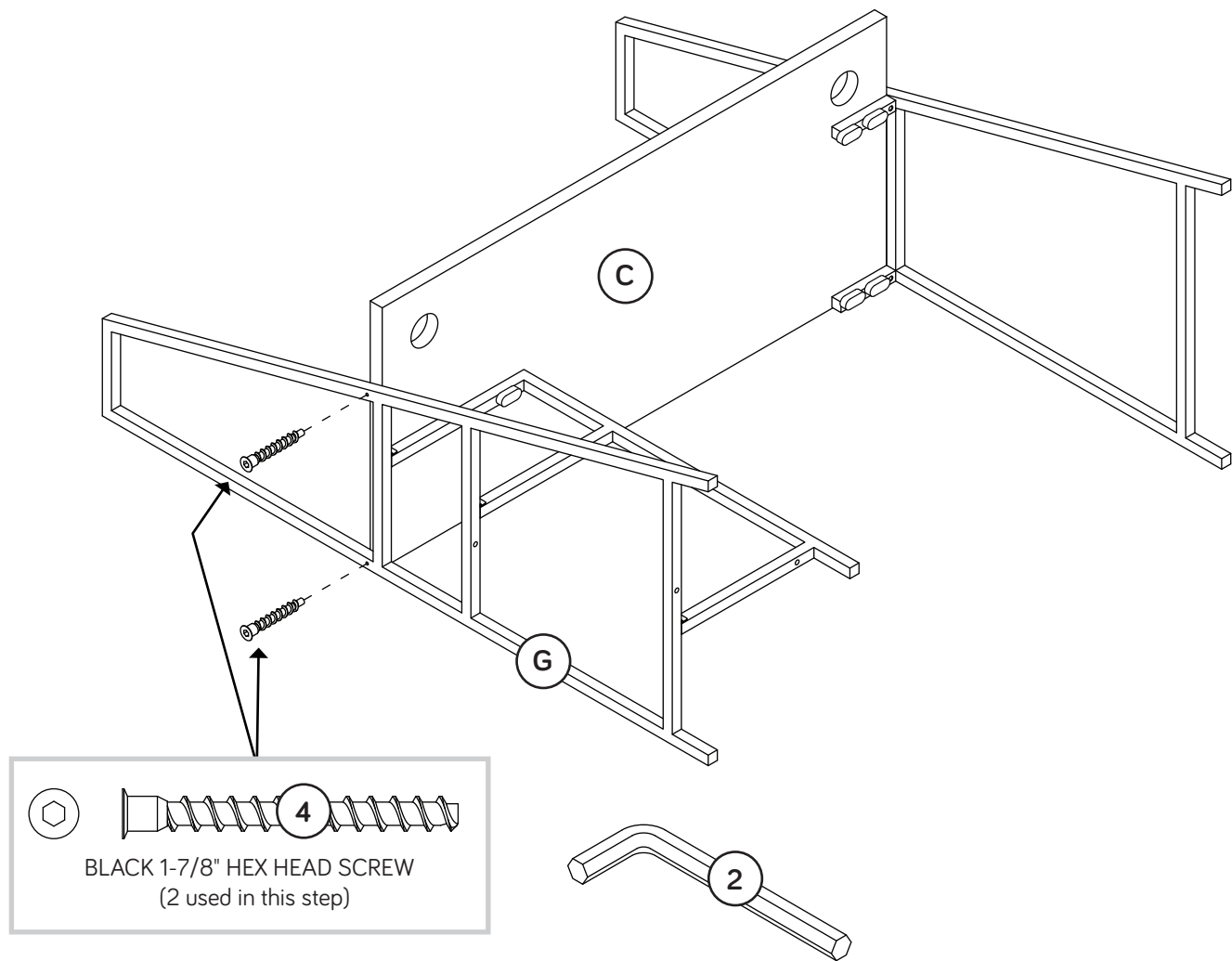
- Fasten the TOP (C) to the TOP BRACES (J). Turn four THUMB SCREWS (1) through the TOP BRACES and into the holes in the TOP.
- Unfold the LEFT END (G) and fasten it to the TOP (C). Turn a THUMB SCREW (1) through the hole in the LEFT END and into the TOP.

Meet Part (C). This component has been engineered to be lighter, stronger, faster... well ok. Not technically faster. But definitely makes for a sturdier 424933 that's easier to assemble and friendlier to the environment.



# Step 3

- Fasten the LEFT END (G) to the TOP (C). Turn two BLACK 1-7/8" FLAT HEAD SCREWS (4) with the L-WRENCH (2).

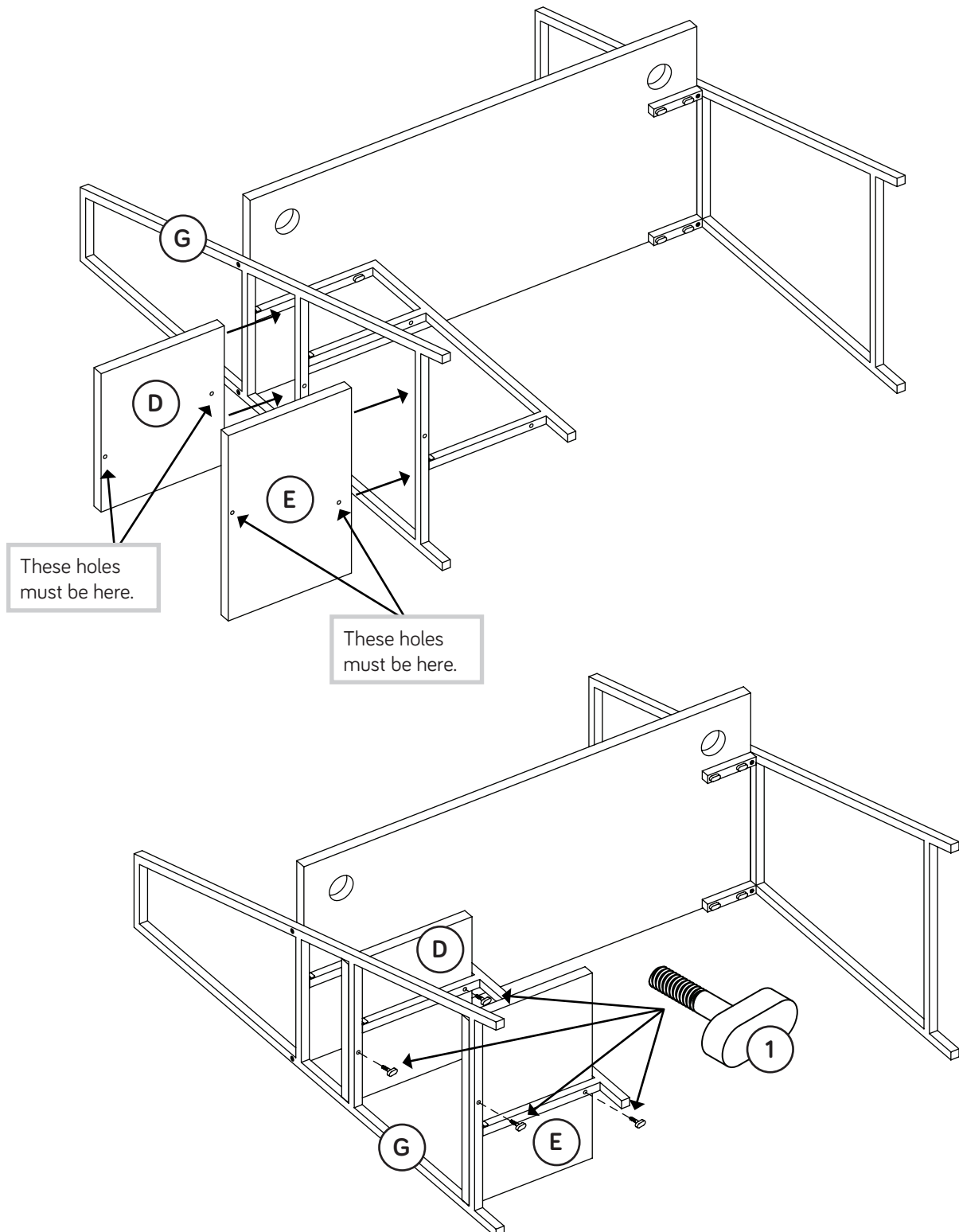


# Step 4

- Slide the SHELVES (D and E) through the opening in the LEFT END (G) as shown.
- Fasten the SHELVES (D and E) to the cross bars on the LEFT END (G). Turn four THUMB SCREWS (1) through the crossbars and into the SHELVES.



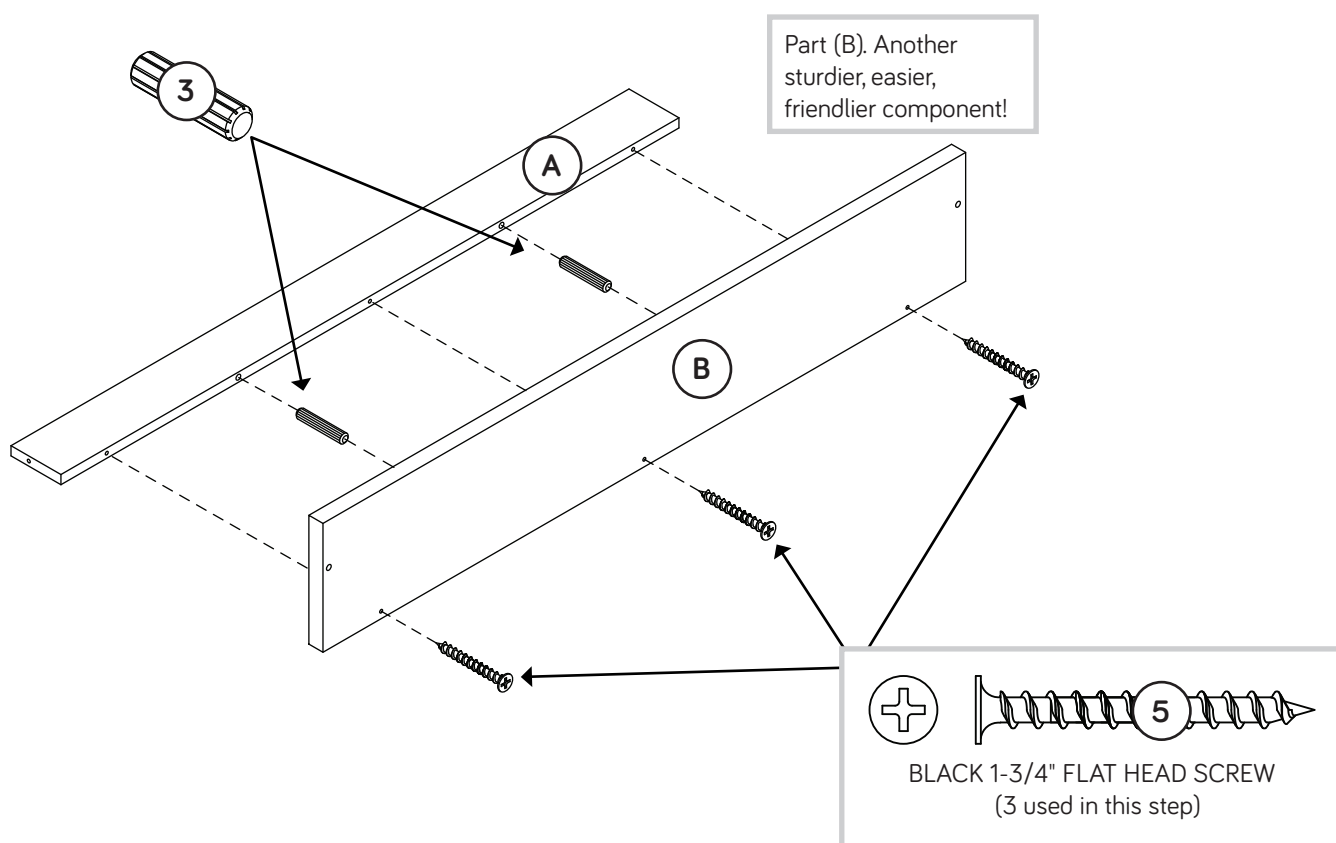
Now might be a good time to refresh your drink.





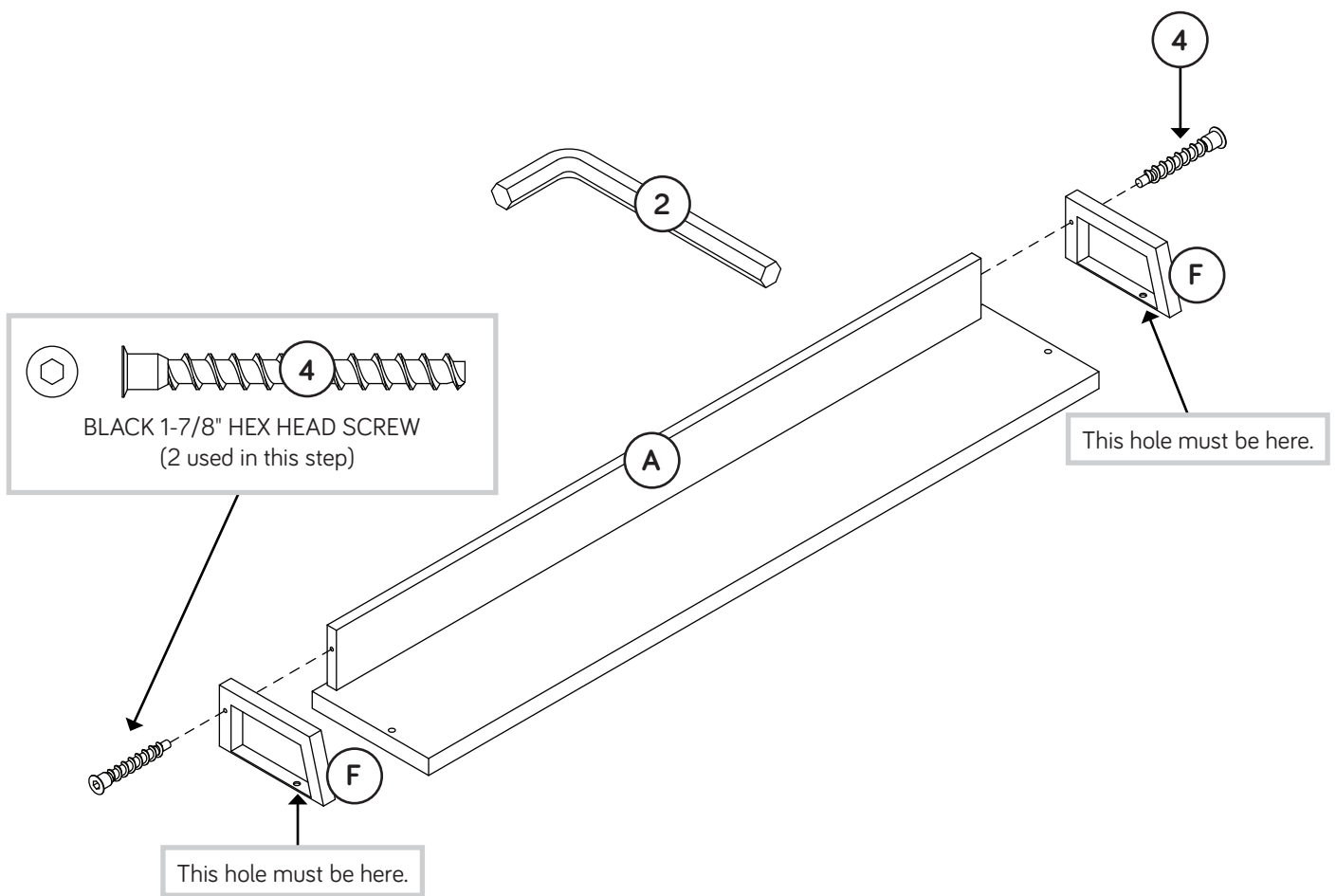
# Step 5

- ✚ Insert two WOOD DOWELS (3) into the holes in the edge of the HUTCH BACK (A).
- ✚ Fasten the HUTCH BACK (A) to the HUTCH SHELF (B). Use three BLACK 1-3/4" FLAT HEAD SCREWS (5).



# Step 6

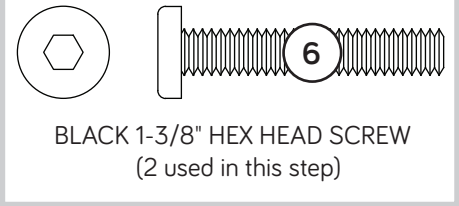
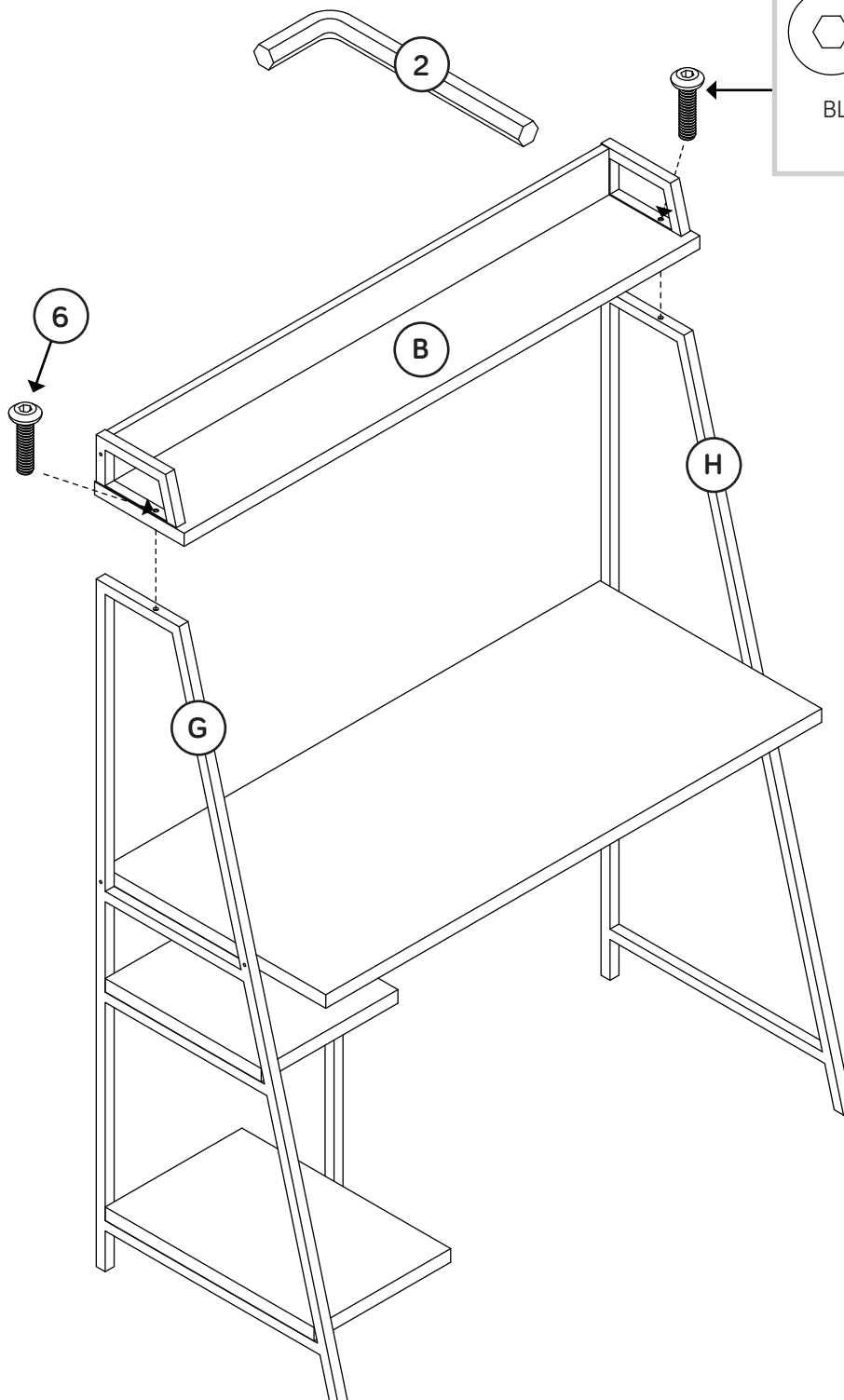
- Fasten the HUTCH ENDS (F) to the HUTCH BACK (A).  
Turn two BLACK 1-7/8" FLAT HEAD SCREWS (4) with the L-WRENCH (2).



# Step 7

- ✚ Carefully stand your unit upright.
- ✚ Fasten the HUTCH SHELF (B) to the ENDS (H and G). Turn two BLACK 1-3/8" HEX HEAD SCREWS (6) with the L-WRENCH (2).

Pro Tip: Lift with your legs. And, you know, your arms.



**⚠ WARNING**

Please use your furniture correctly and safely. Improper use can cause safety hazards, or damage to your furniture or household items. ***Carefully read the following chart.***

Look out for:	What can happen:	How to avoid the problem:
<ul style="list-style-type: none"><li>• Overloaded shelves or drawers.</li><li>• Improper loading can cause the product to be top-heavy.</li></ul>	<ul style="list-style-type: none"><li>• Risk of injury.</li><li>• Top-heavy furniture can tip over.</li><li>• Overloaded shelves and drawers can break.</li></ul>	<ul style="list-style-type: none"><li>• Never exceed the weight limits shown in the instructions.</li><li>• Work from bottom to top when loading shelves and drawers. Place the heavier items on the lower shelves or in lower drawers.</li></ul>
<ul style="list-style-type: none"><li>• Improperly moving furniture that is not designed and equipped with casters.</li></ul>	<ul style="list-style-type: none"><li>• Furniture can tip over or break if improperly moved.</li><li>• Physical injury. Furniture can be very heavy.</li><li>• Breakage of tops - particularly with double pedestal furniture (drawers at both ends).</li></ul>	<ul style="list-style-type: none"><li>• Unload shelves and drawers from top to bottom before moving the unit.</li><li>• Do not push furniture, especially on a carpeted floor. Have a friend help you lift the item and set it in place.</li><li>• Provide support to the center section of the top when lifting the furniture.</li></ul>
<ul style="list-style-type: none"><li>• Placing TVs on furniture items that are not designed to support a television is hazardous.</li></ul>	<ul style="list-style-type: none"><li>• Risk of injury or death. TVs can be very heavy. Plus the weight and location of the picture tube tends to make TVs unbalanced and prone to tipping forward.</li></ul>	<ul style="list-style-type: none"><li>• This product is not designed to support a television.</li></ul>